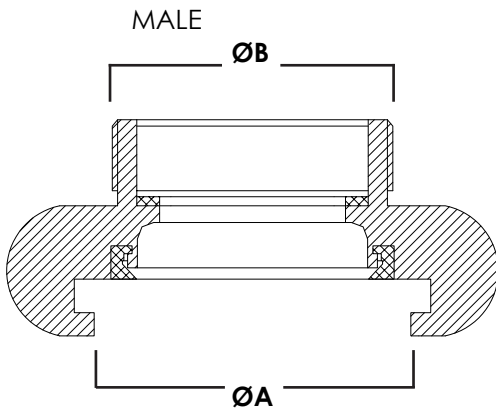
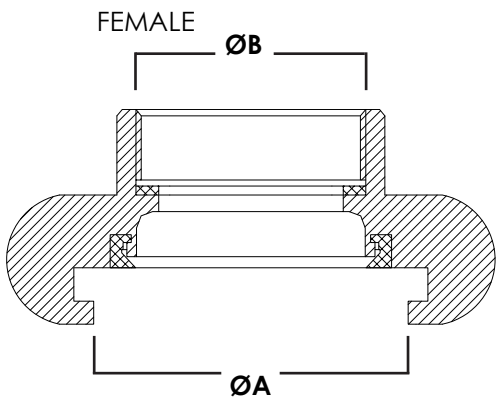


# Nakajima Adapter (MALE)



DESCRIPTION	ØA	ØB	MATERIAL	PART NO
1.5" Nakajima Male Adapter		1.5" BSP M	BRASS	
2.0" Nakajima Male Adapter		2.0" BSP M	BRASS	
2.5" Nakajima Male Adapter		2.5" BSP M	BRASS	

# Nakajima Adapter (FEMALE)



DESCRIPTION	ØA	ØB	MATERIAL	IMPA	PART NO
1.5" Nakajima Female Adapter		1.5" BSP F	BRASS		
1.5" Nakajima Female Adapter		2.0" BSP F	BRASS	331881	
2.0" Nakajima Female Adapter		2.0" BSP F	BRASS	331882	
2.5" Nakajima Female Adapter		2.0" BSP F	BRASS	331883	
2.5" Nakajima Female Adapter		2.5" BSP F	BRASS	331884	

Due to constant improvements, product dimensions may differ slightly.



**FIRE ARMOUR**

14 Fan Yoong Rd, Singapore 629791 T 62666788 F 62663788  
Email: [firearmour@firearmour.com.sg](mailto:firearmour@firearmour.com.sg)