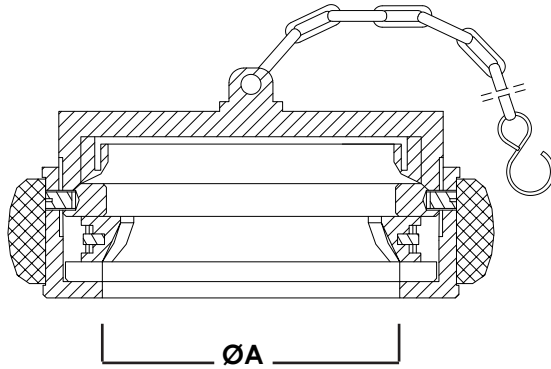


MACHINO Blank Cap & Chain



DESCRIPTION	ØA	PART NO
1.5" Machino Cap		HYCAP-G-MA15
2.0" Machino Cap		HYCAP-G-MA20
2.5" Machino Cap		HYCAP-G-MA25

Due to constant improvements, product dimensions may differ slightly.



FIRE ARMOUR

14 Fan Yoong Rd, Singapore 629791 T 62666788 F 62663788
Email: firearmour@firearmour.com.sg